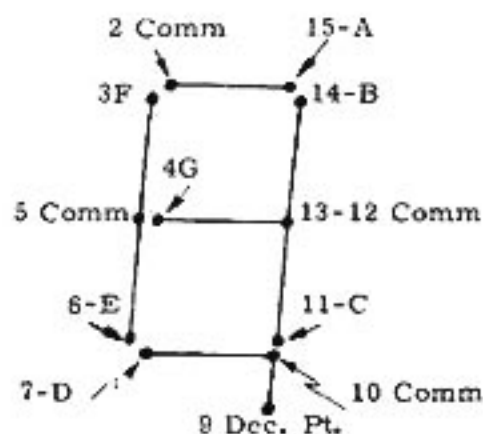
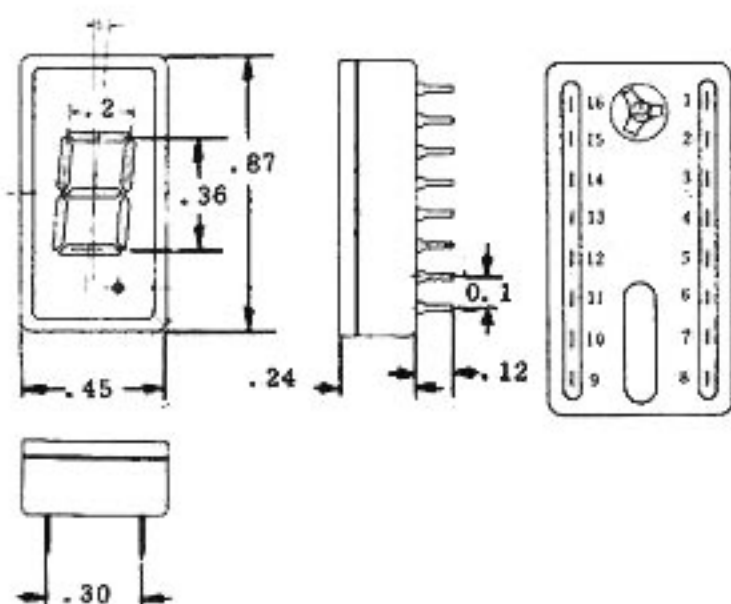
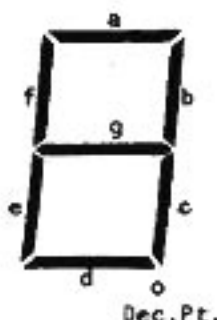


3015F MINITRON DISPLAY APPLICATION DATA

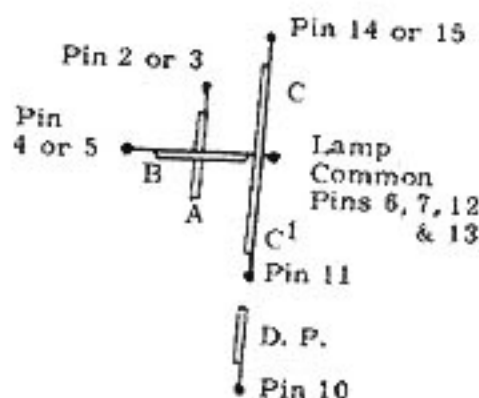
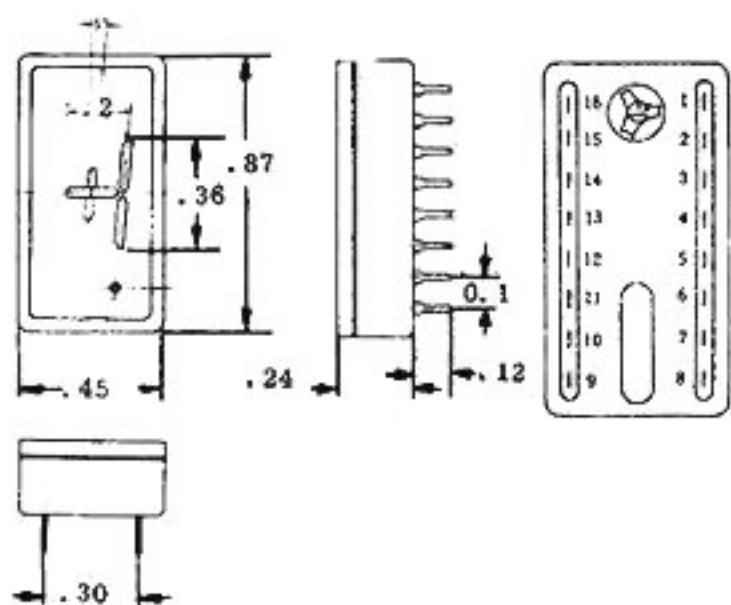


Note: Buss all commons to + lamp supply. Ground return is through decoder/driver.

- Recommended operating voltage 4.5 to 6.5V
- Current per segment 8mA @ 5VDC
- Life expectancy 50,000 hours @ 5VDC
- Viewing angle (included angle) 100°
- Temperature range -50°C to +70°C
- Lens Borosilicate glass
- Filaments Tungsten
- Contacts Kovar



PLUS-MINUS INDICATOR MINITRON MODEL 3015-G



NOTES:

- (1) Nos. 6, 7, 9, 12 and 13 are common pins of plus or minus sign. Buss together on the outside.
- (2) Nos. 1, 8 and 16 - no connection.
- (3) Voltage requirement - 5 VDC
- (4) Current requirement - 8mA per segment
- (5) Fits standard 16 pin DIP socket. Size identical to 3015F.
- (6) Pricing identical to 3015F. Types may be mixed for quantity price reductions.

FILAMENT CHARACTERISTICS

3015F AND 3015G

