

Netzröhre für GW-Heizung
 indirekt geheizt
 Serien- oder Parallelspeisung
 DC-AC-Heating
 indirectly heated
 connected in parallel or series

TELEFUNKEN

EMM 801

Anzeige-Röhre zum
 Spannungsvergleich
 Indicator tube for
 voltage comparison

U_f **6,3** V
 I_f **300** mA

Meßwerte · Measuring values

Triodenteil je System
 Triode section per System

U_a	100	V
U_g	-2	V
I_a	2,8	mA
S	1	mA/V
μ	19	
$U_{ge} (I_g \leq +0,3 \mu A)$	-1,3	V

Betriebswerte · Typical operation

$U_b = U_L$	200		250	V	
$R_{aI} = R_{aII}$	400		400	k Ω	
$U_{ganz.}$	0		0		
$U_{gI} = U_{gII}$	0 ... -16		0 ... -20	V	
$R_{gI} = R_{gII}$	2		2	M Ω	
I_L	1,4	1,9	1,8	2,5	mA
$I_{aI} = I_{aII}$	430	48	550	60	μA
$a_I = a_{II}$	27	0	27	0	mm

max. Schattenlängenunterschied
 max. difference of shadow length
 bei $U_{gI} = U_{gII} = -1,3 V$

$$a_{II} - a_I = 2 \text{ mm}$$

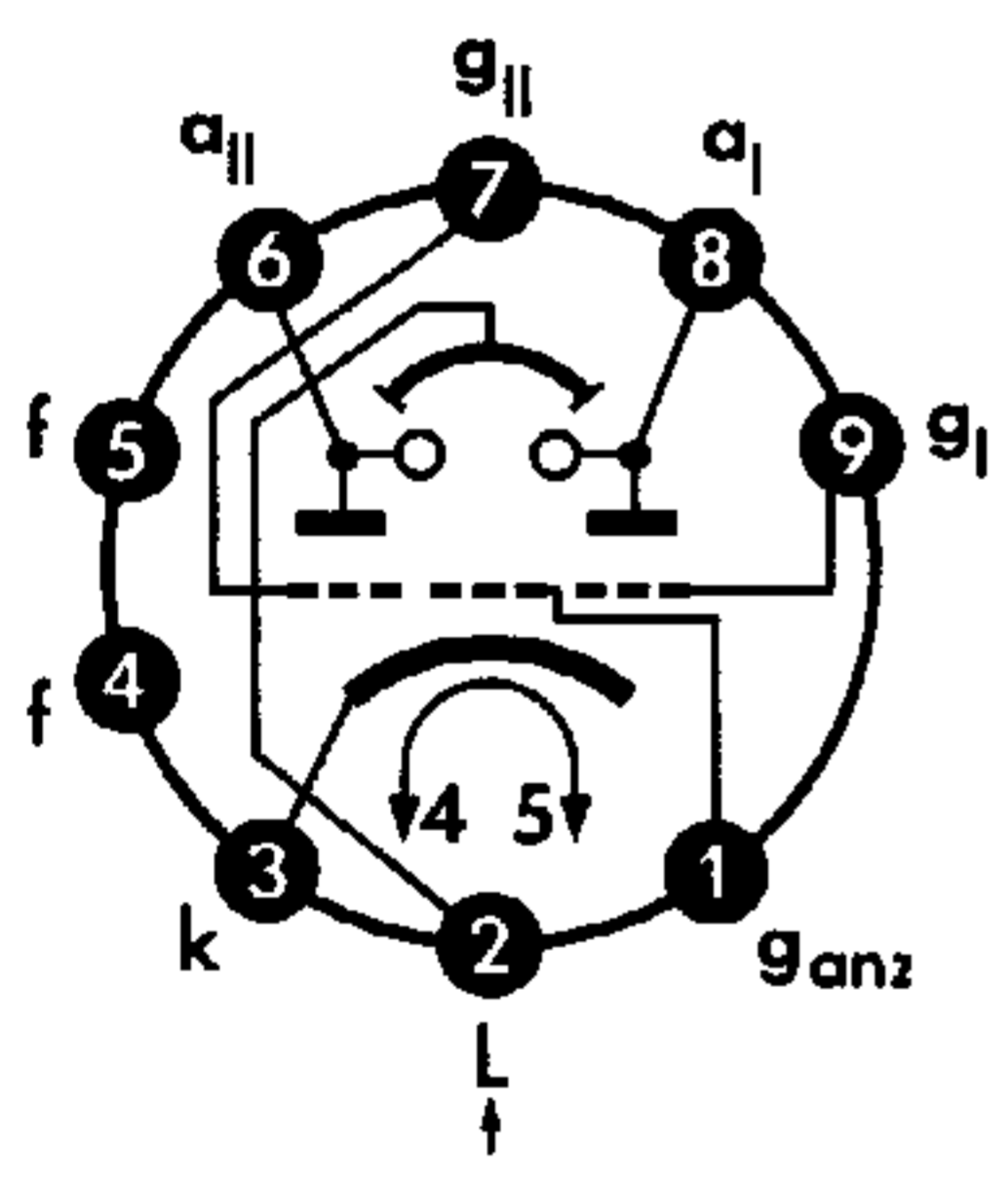


Grenzwerte · Maximum ratings

per System

U_{ao}	550	V
U_a	300	V
N_a	0,2	W
U_{Lo}	550	V
U_L	300	V
U_{Lmin}	170	V
I_k	12	mA
R_g	3	M Ω
$U_{f/k}$	100	V
$R_{f/k}$	20	k Ω

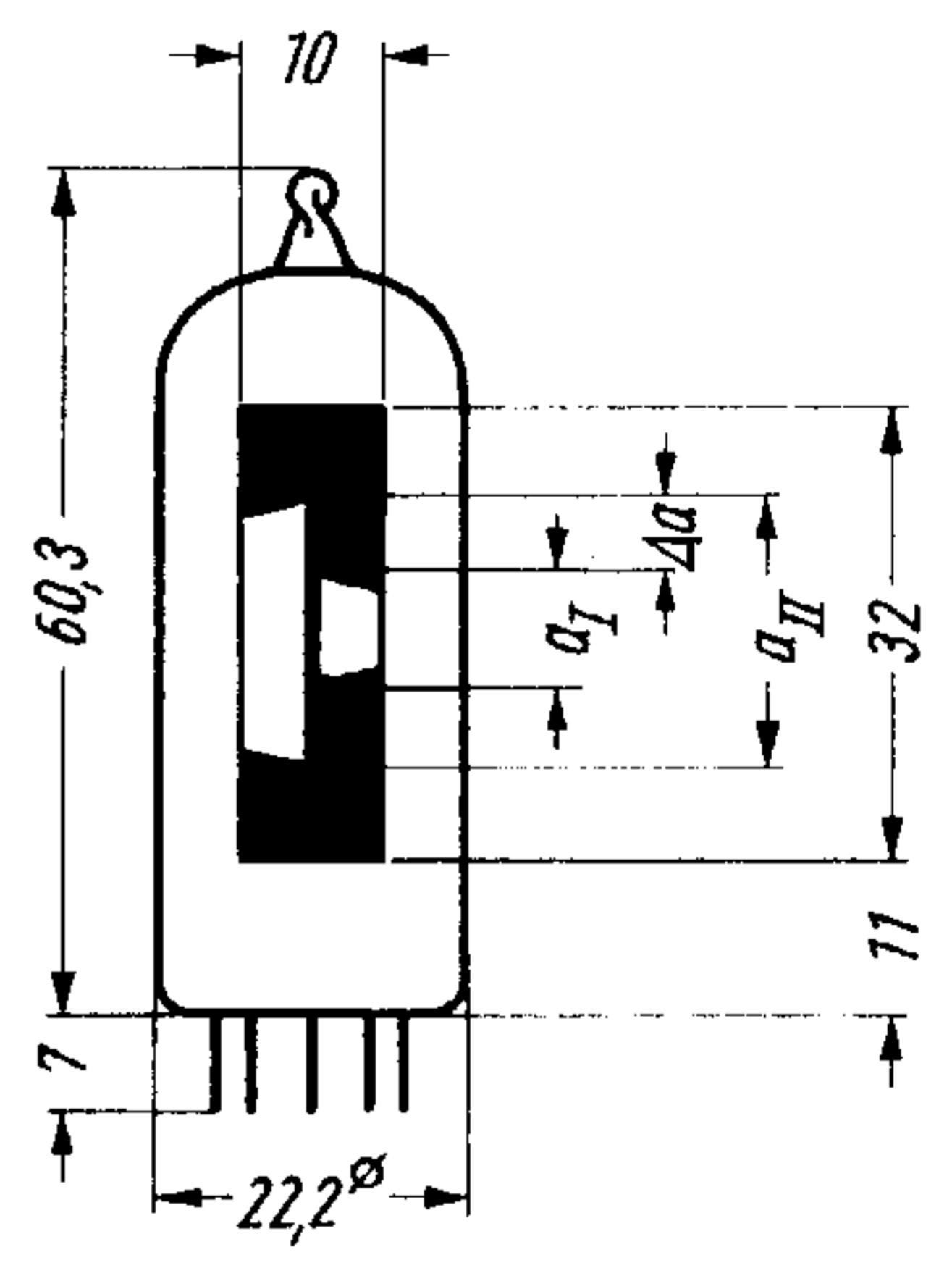
Sockelschaltbild
Base connection



Blickrichtung · Direction of view

Pico 9 · Noval

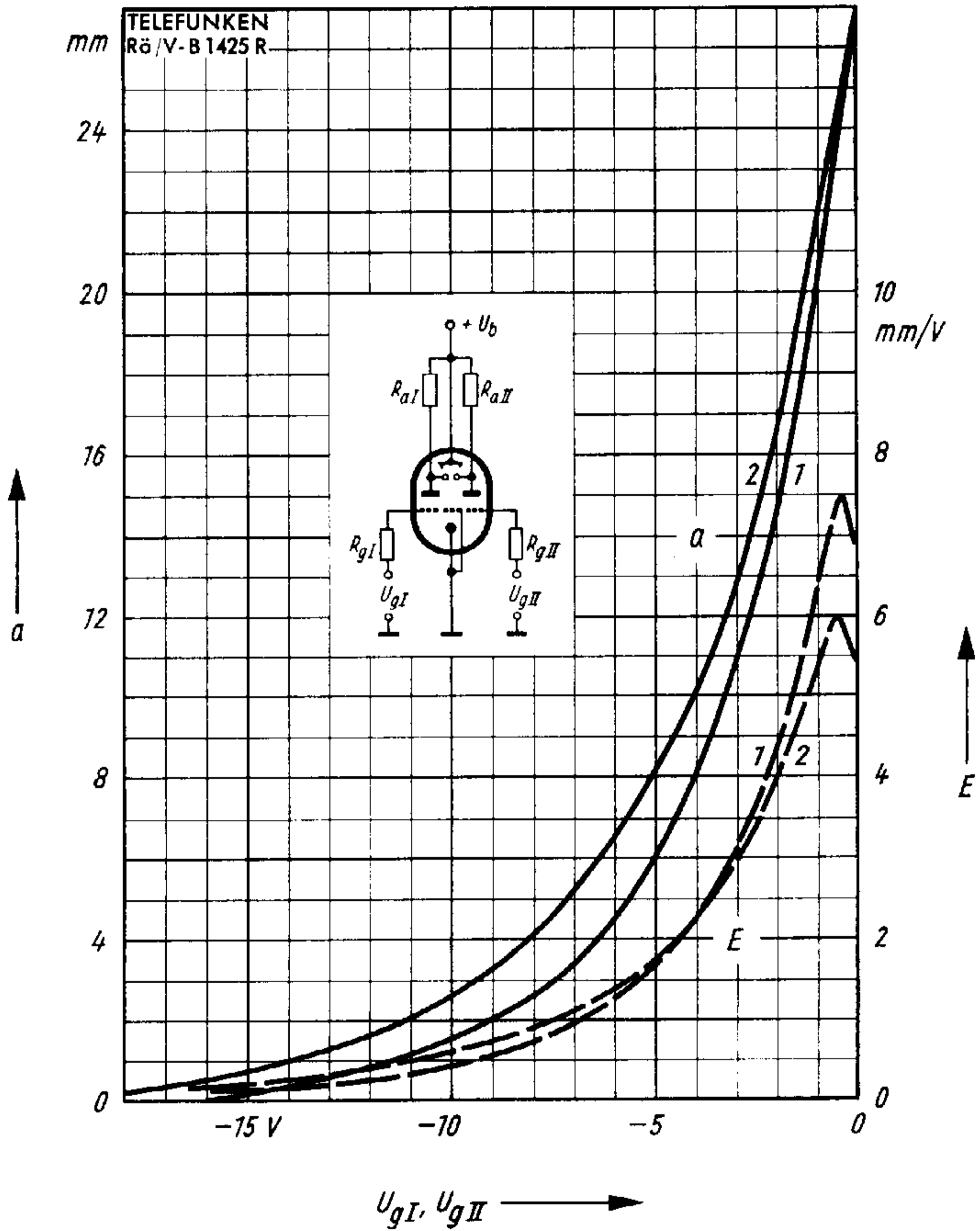
max. Abmessungen
max. dimensions
DIN 41 539, Nenngröße 50 Form A



Gewicht · Weight
max. 18 g

Wenn notwendig, muß gegen Herausfallen der Röhre aus der Fassung Vorsorge getroffen werden.
Special precautions must be taken to prevent the tube from becoming dislodged.





$$E, a = f(U_g)$$

$$1. U_b = 200 V$$

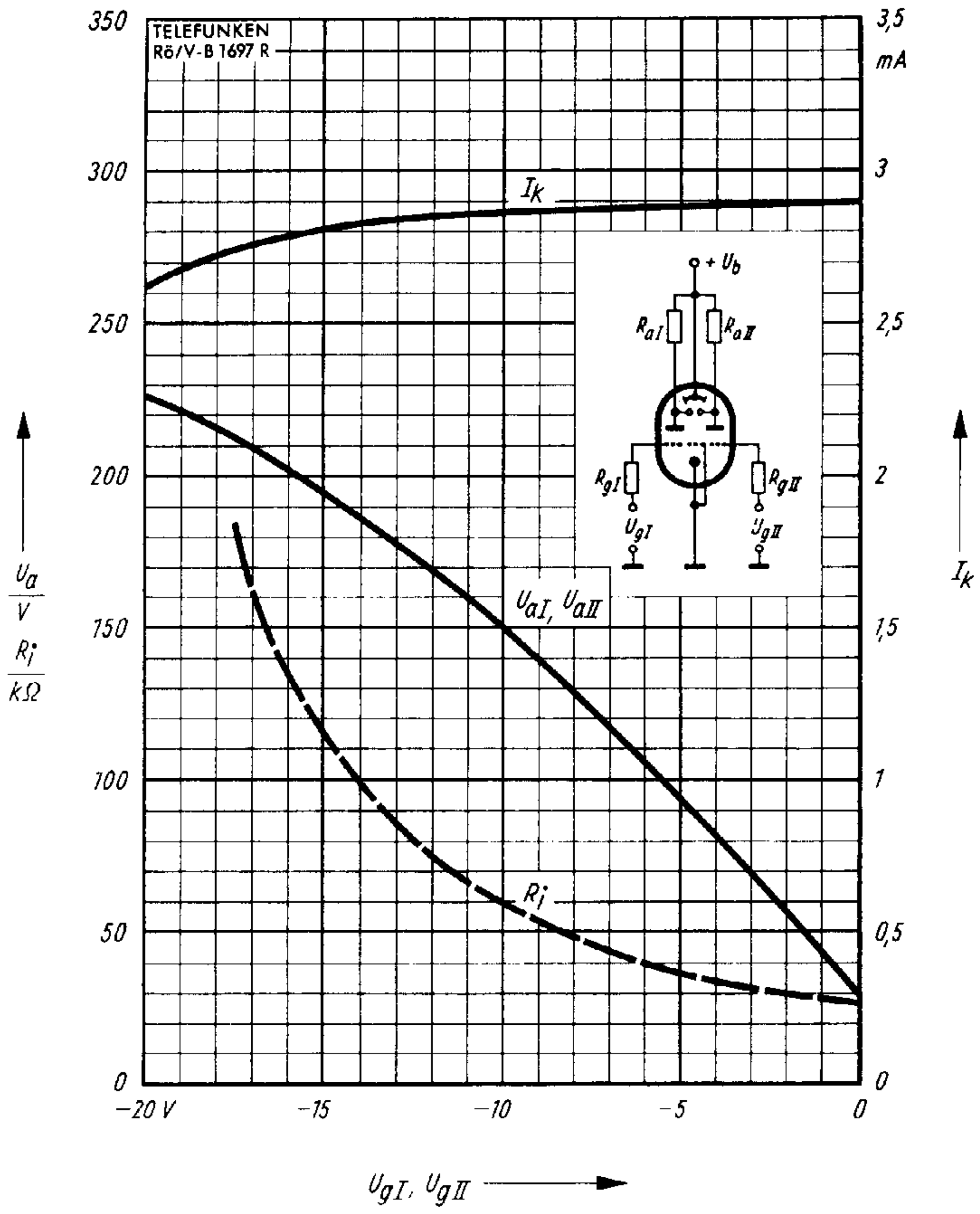
$$2. U_b = 250 V$$

$$R_{aI} = R_{aII} = 400 k\Omega$$

$$R_{gI} = R_{gII} = 2 M\Omega$$

E = Empfindlichkeit · Sensitivity





$$U_a, R_i, I_k = f(U_{gI}, U_{gII})$$

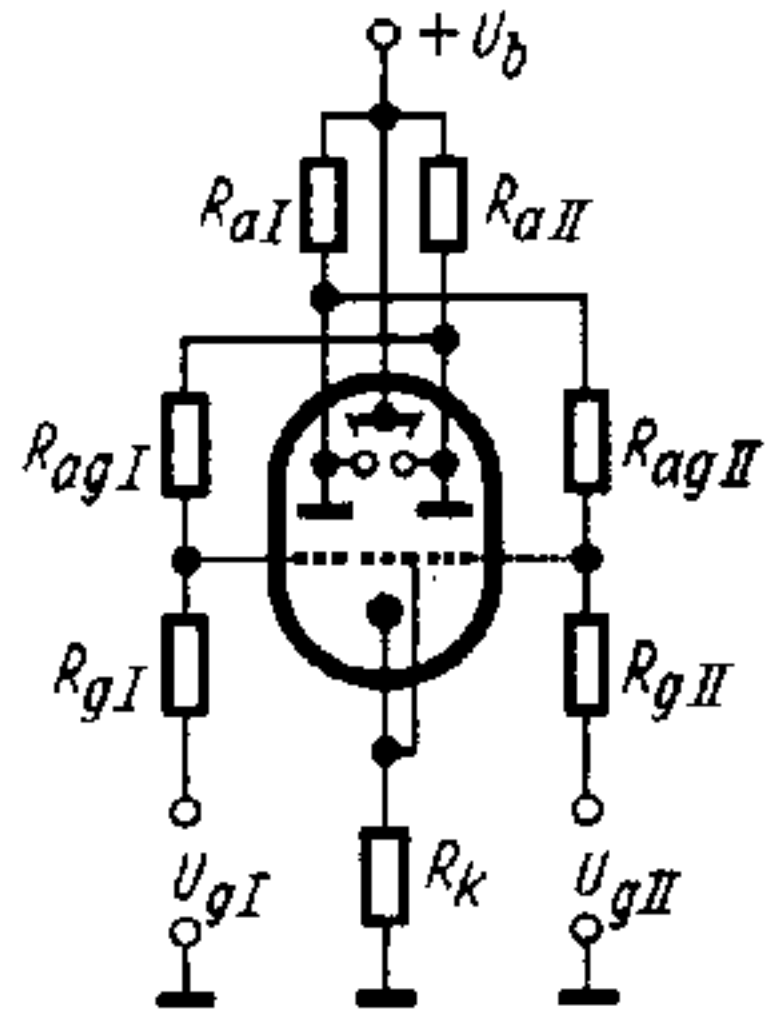
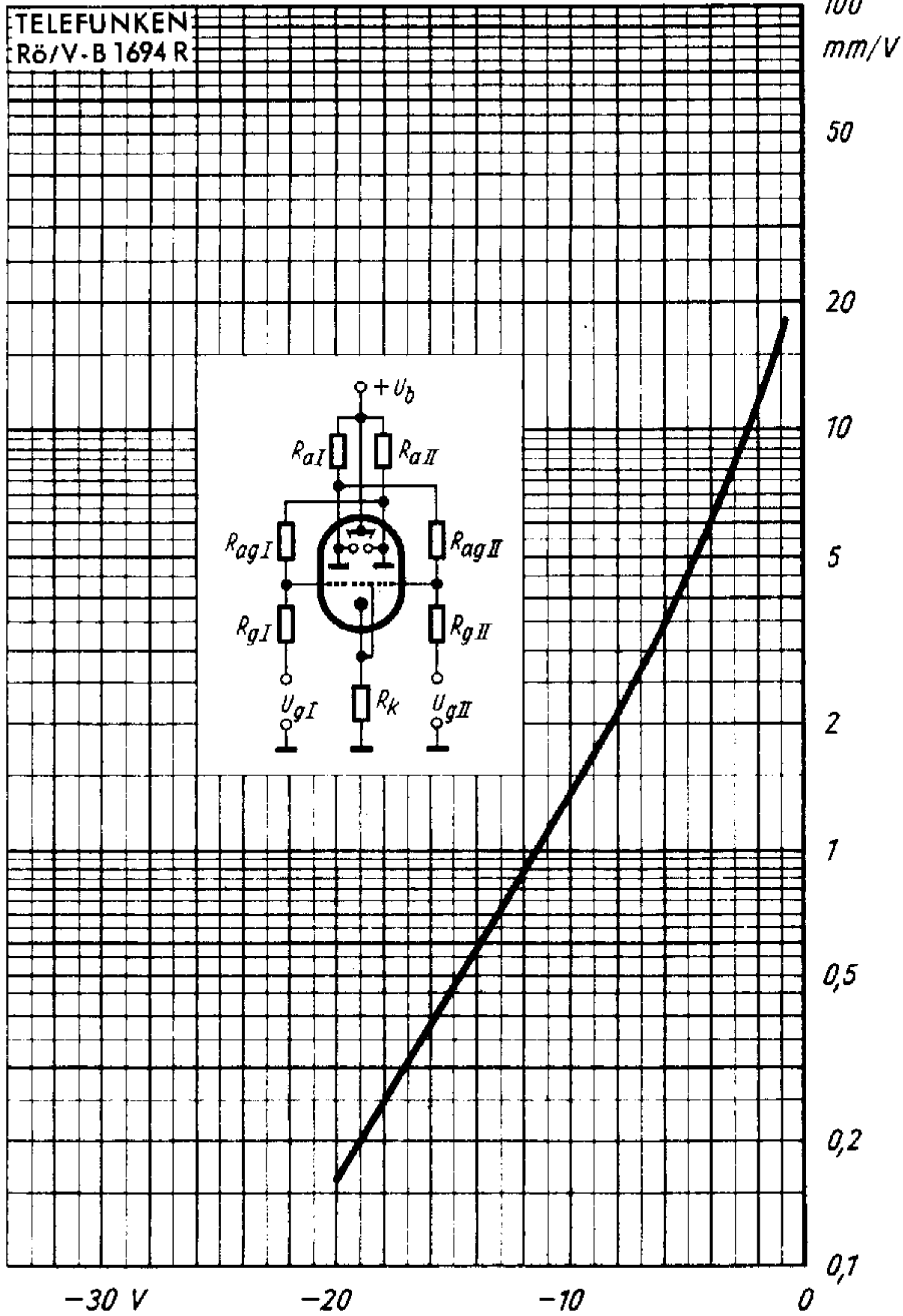
$$U_b = 250 \text{ V}$$

$$R_{aI} = R_{aII} = 400 \text{ k}\Omega$$

$$R_{gI} = R_{gII} = 2 \text{ M}\Omega$$



TELEFUNKEN
Rö/V-B 1694 R



U_{gI}, U_{gII} →

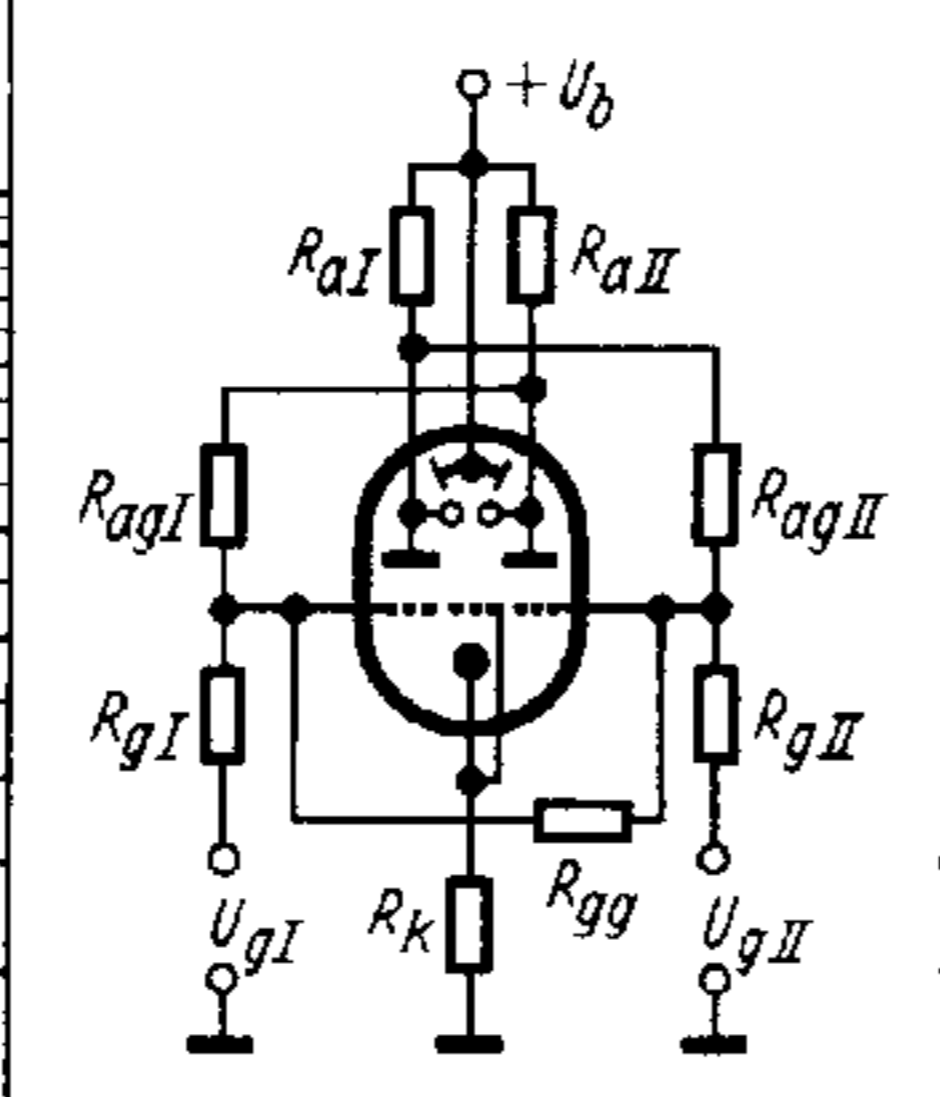
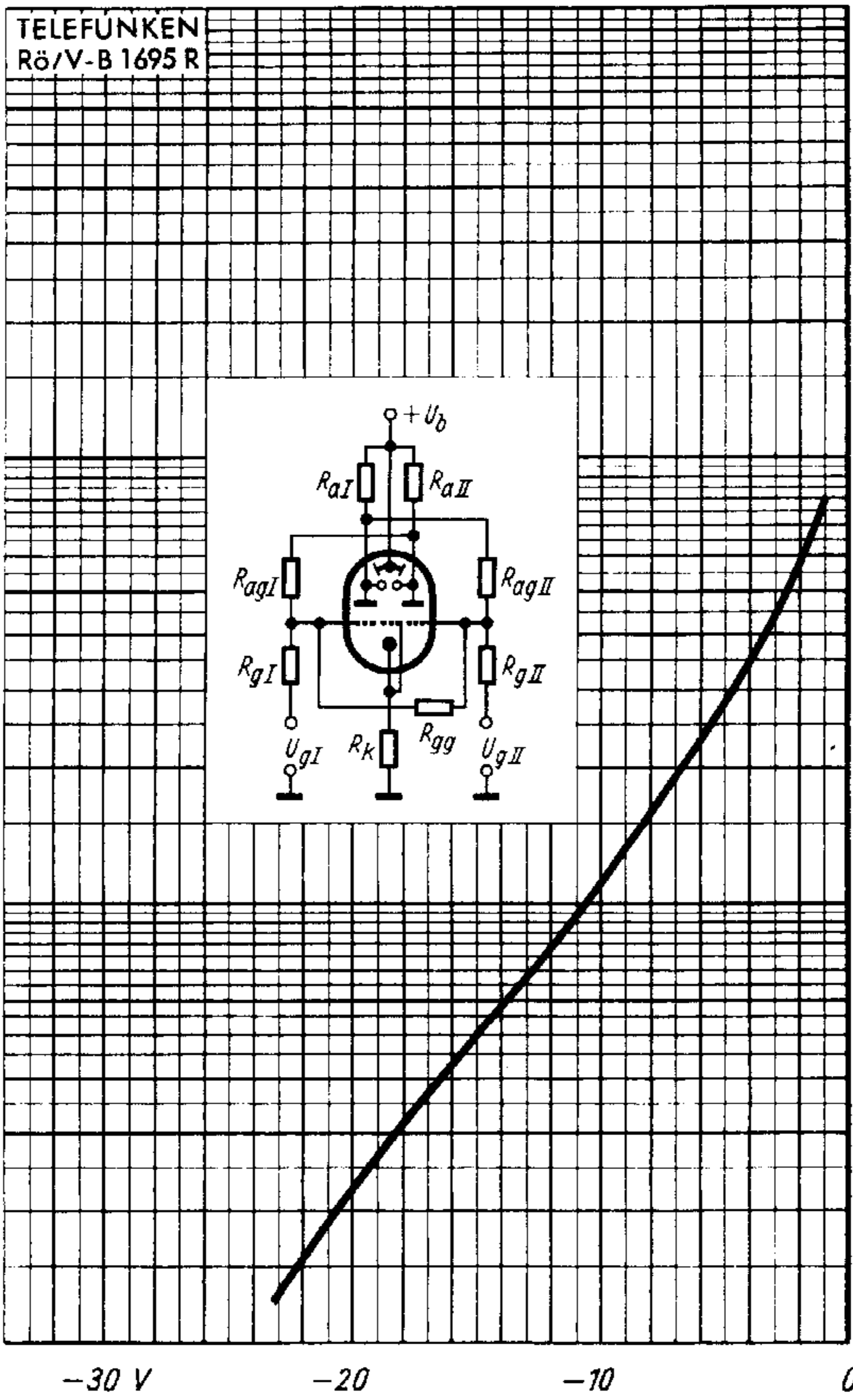
- $E_{\Delta} = f(U_{gI}, U_{gII})$
- $U_b = 250 \text{ V}$
- $R_{aI} = R_{aII} = 400 \text{ k}\Omega$
- $R_{gI} = R_{gII} = 500 \text{ k}\Omega$
- $R_{agI} = R_{agII} = 10 \text{ M}\Omega$
- $R_k = 500 \text{ }\Omega$

E_{Δ} = Differenz-Anzeigeempfindlichkeit



TELEFUNKEN
Rö/V-B 1695 R

100
mm/V



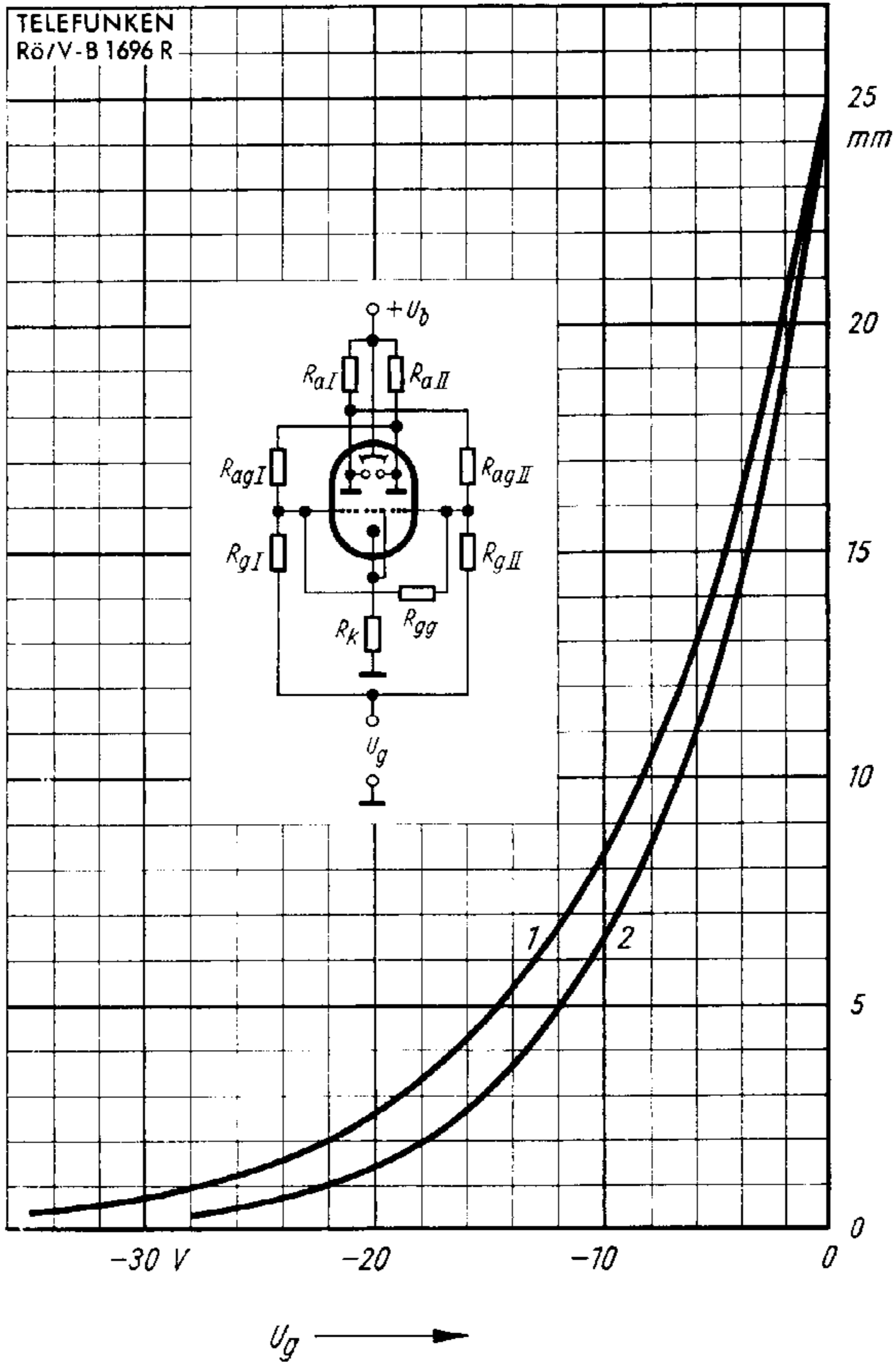
↑
 E_{Δ}

-30 V -20 -10 0

U_{gI}, U_{gII} →

- $E = f(U_{gI}, U_{gII})$
- $U_b = 250 \text{ V}$
- $R_{aI} = R_{aII} = 400 \text{ k}\Omega$
- $R_{gI} = R_{gII} = 500 \text{ k}\Omega$
- $R_{agI} = R_{agII} = 5 \text{ M}\Omega$
- $R_{gg} = 1 \text{ M}\Omega$
- $R_k = 1 \text{ k}\Omega$





- $a = f(U_g)$
 1. $U_b = 250 \text{ V}$
 2. $U_b = 200 \text{ V}$
 $R_{aI} = R_{aII} = 400 \text{ k}\Omega$
 $R_{gI} = R_{gII} = 500 \text{ k}\Omega$
 $R_{agI} = R_{agII} = 5 \text{ M}\Omega$
 $R_{gg} = 1 \text{ M}\Omega$
 $R_k = 1 \text{ k}\Omega$

