

TYPE 570 CHARACTERISTIC-CURVE TRACER

BLOCK DIAGRAM

V8A
V3BA
SPLIT-LOAD
PHASE INVERTER

V15
V45
RECTIFIERS

V8B
V30B
SHAPER AMPLIFIERS

V65A
V65B
MULTIVIBRATOR

V75B
MULTIVIBRATOR C.F.

V76A
V76B
DISCONNECT
DIODES

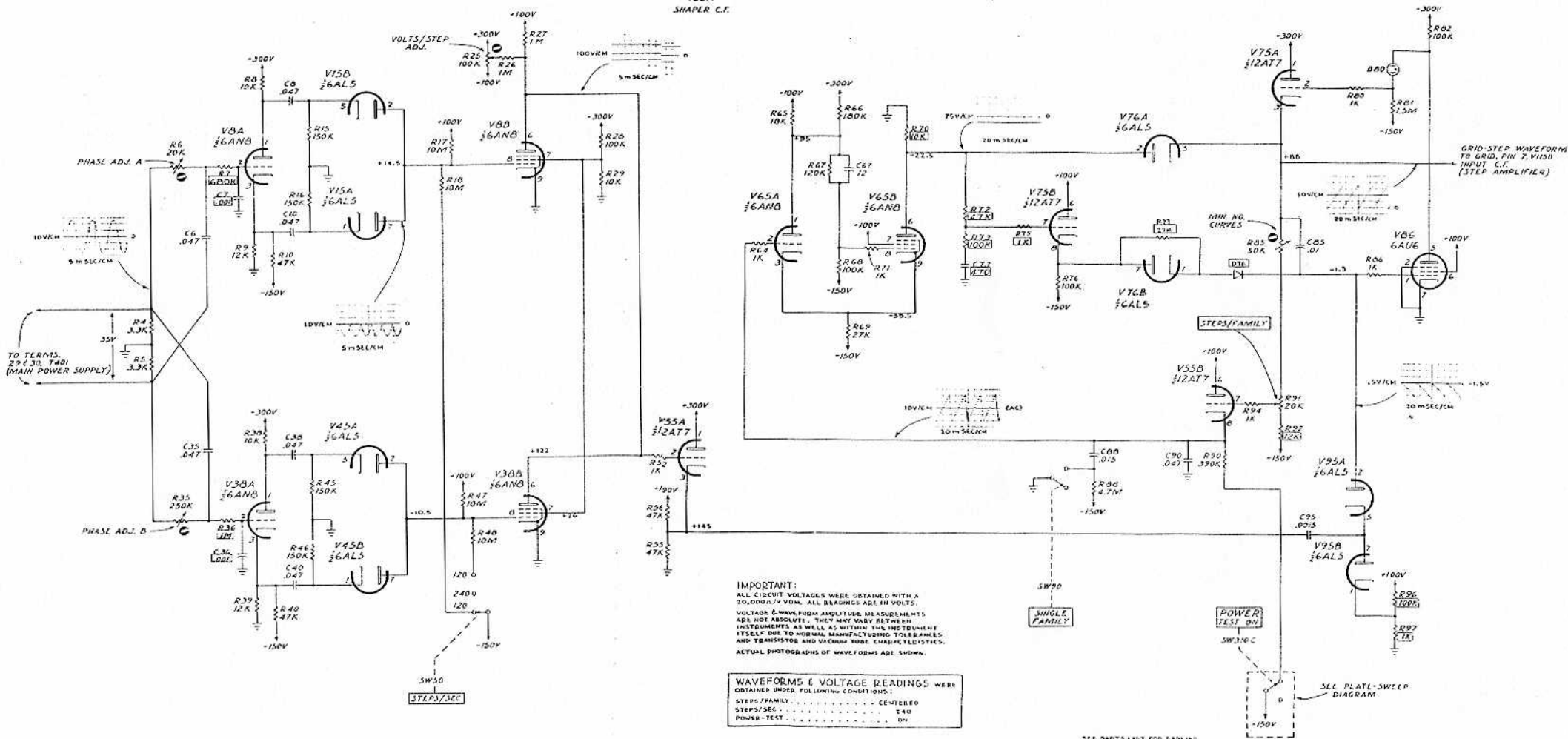
V55B
STEP-CONTROL C.F.

V95A
V95B
CLAMP /
COUPLING DIODE

V75A
STEP-GEN. C.F.

V86
STEP GEN.

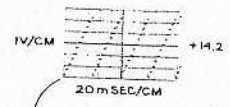
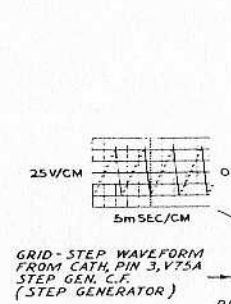
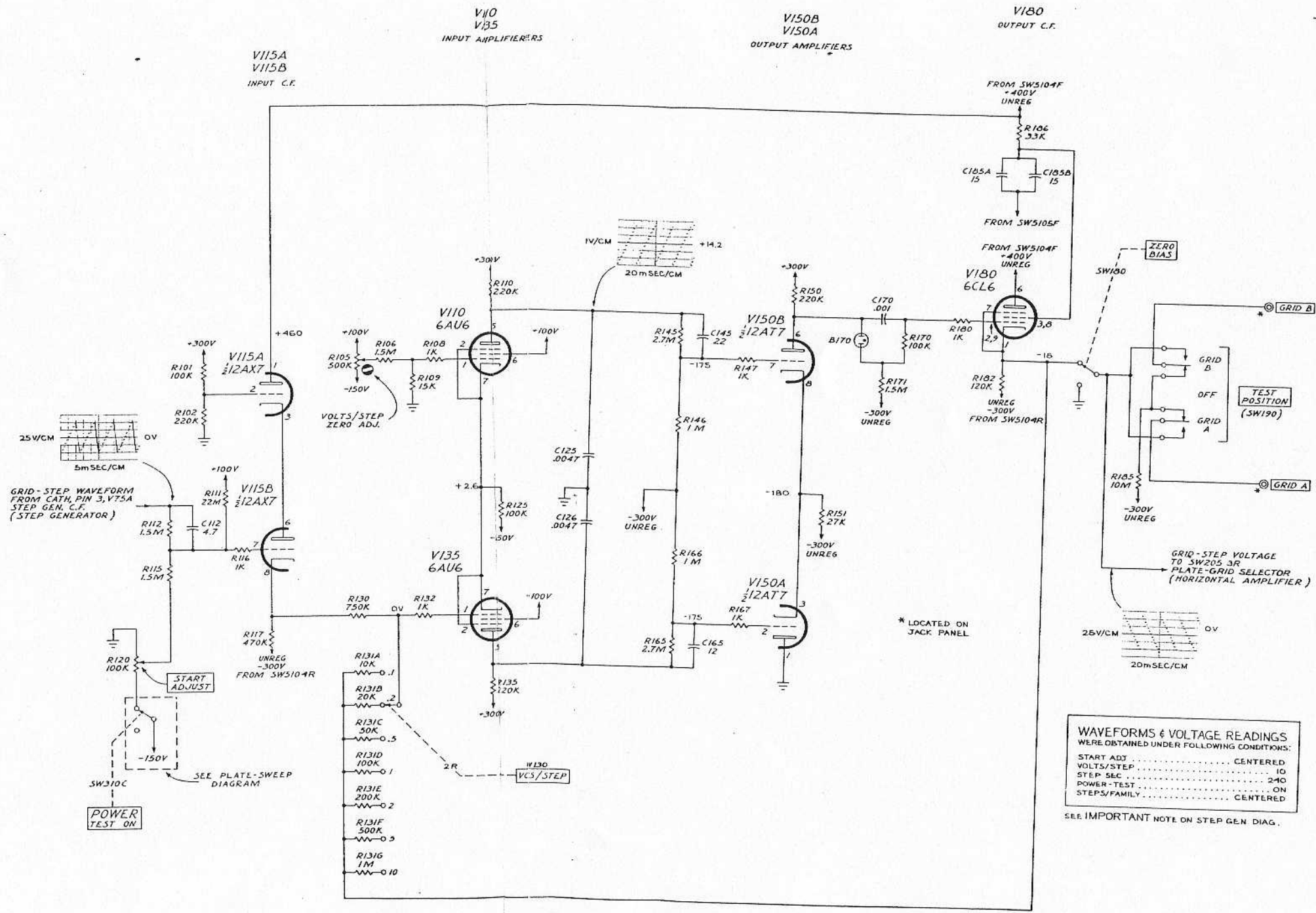
V55A
SHAPER C.F.



IMPORTANT:
ALL CIRCUIT VOLTAGES WERE OBTAINED WITH A 20,000R/V VDM. ALL READINGS ARE IN VOLTS.
VOLTAGE READINGS FROM AMPLITUDE MEASUREMENTS ARE NOT ABSOLUTE. THEY MAY VARY BETWEEN INSTRUMENTS AS WELL AS WITHIN THE INSTRUMENT ITSELF DUE TO NORMAL MANUFACTURING TOLERANCES AND TRANSISTOR AND VACUUM TUBE CHARACTERISTICS. ACTUAL PHOTOGRAPHS OF WAVEFORMS ARE SHOWN.

WAVEFORMS & VOLTAGE READINGS WERE OBTAINED UNDER FOLLOWING CONDITIONS:
STEPS/FAMILY CELEBED
STEPS/SEC T40
POWER-TEST ON

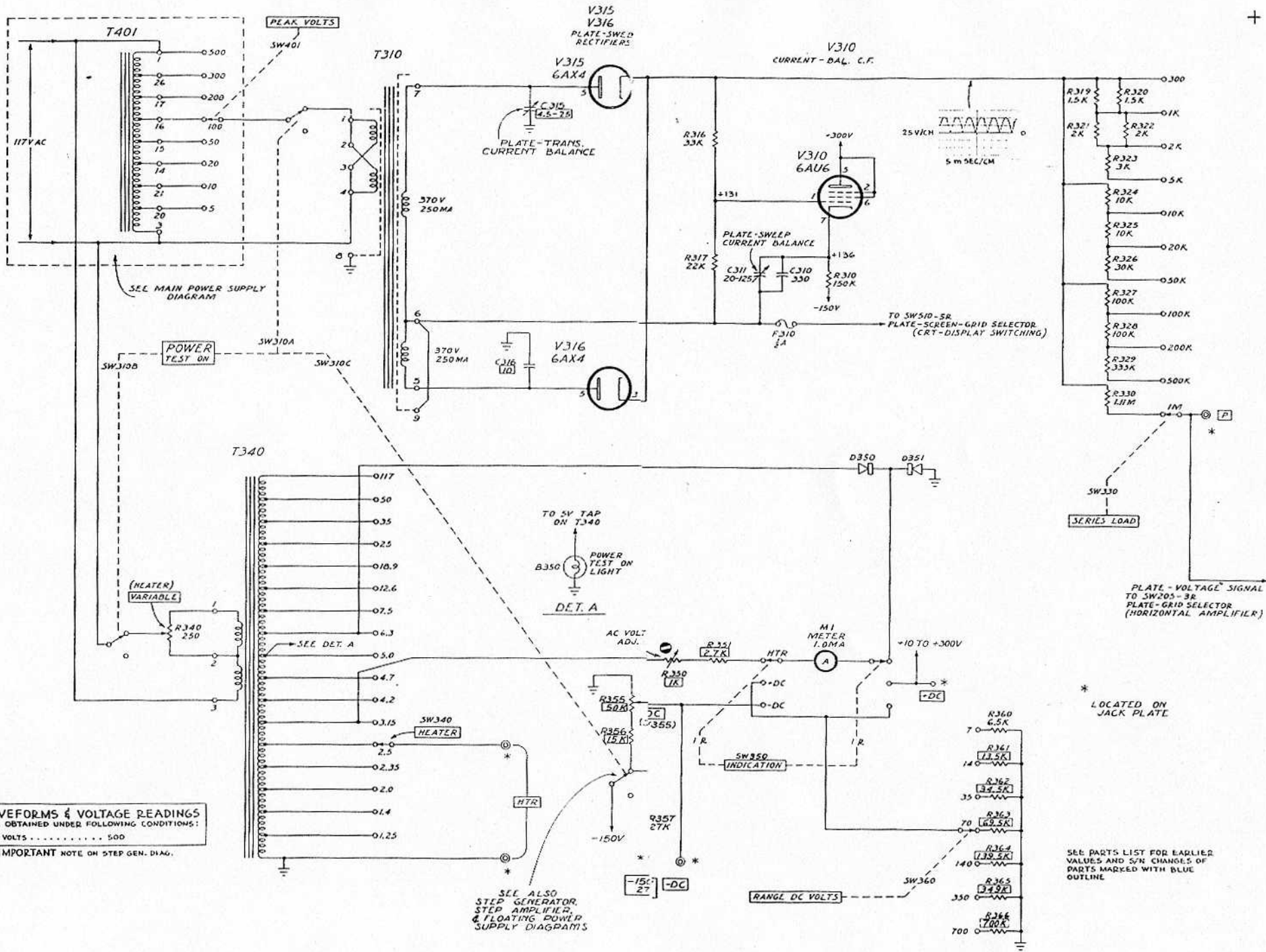
SEE SHEET LIST FOR LABELLED VALUES AND 1/2" CHANGES OF PARTS MARKED WITH BLUE OUTLINE.

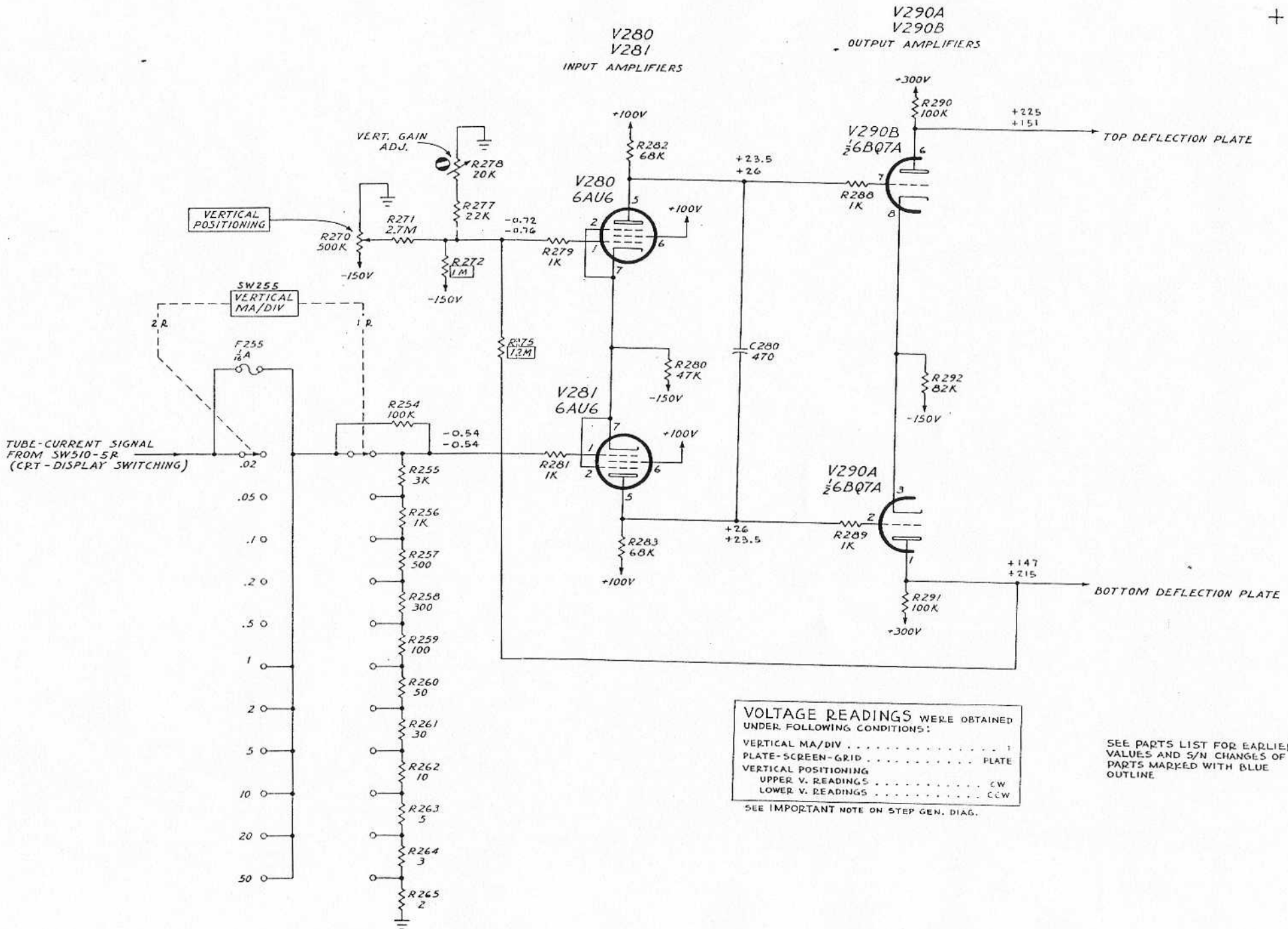


WAVEFORMS & VOLTAGE READINGS WERE OBTAINED UNDER FOLLOWING CONDITIONS:

START ADJ	CENTERED
VOLTS/STEP	10
STEP SEC	240
POWER-TEST	ON
STEPS/FAMILY	CENTERED

SEE IMPORTANT NOTE ON STEP GEN DIAG.





V280
V281
INPUT AMPLIFIERS

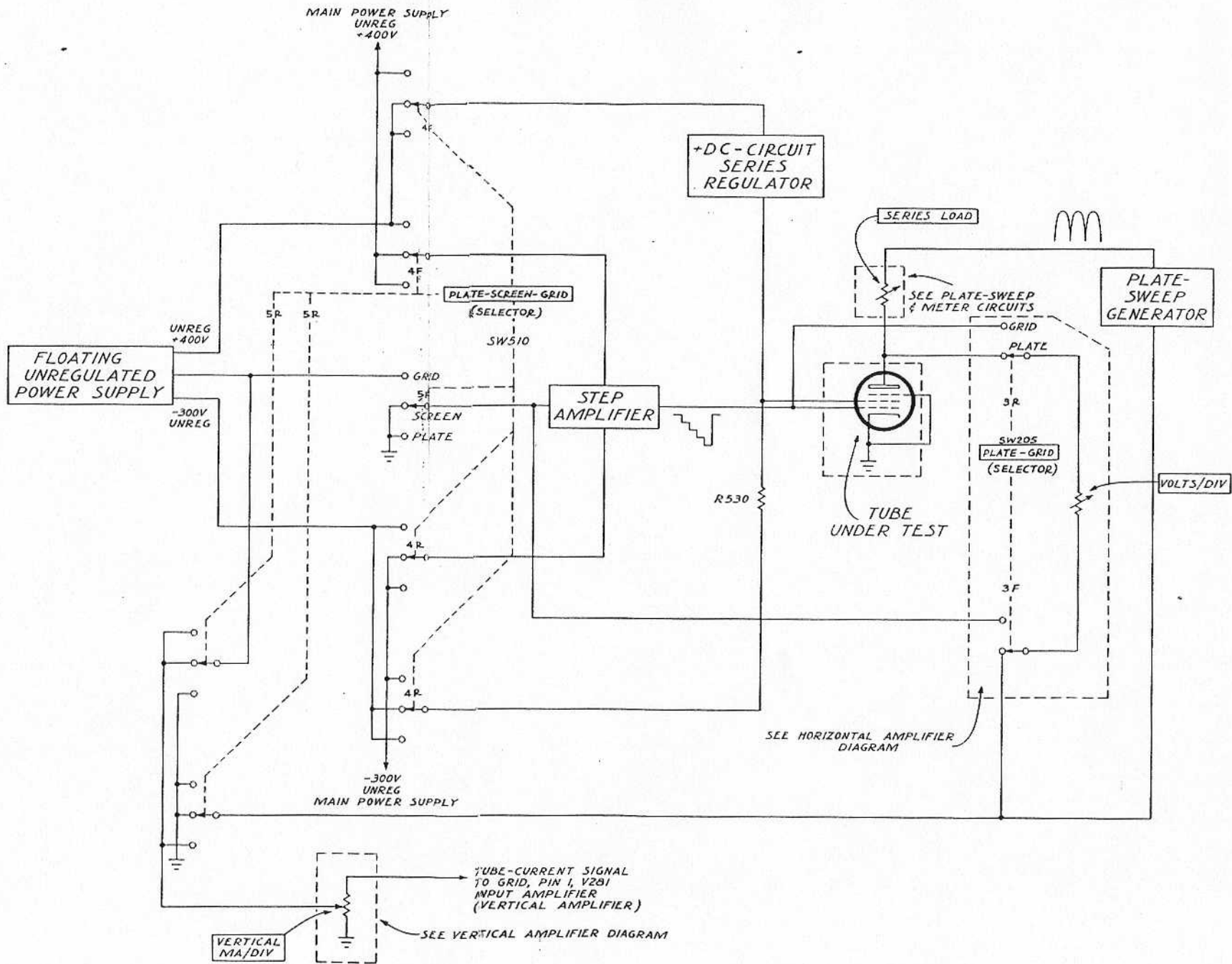
V290A
V290B
OUTPUT AMPLIFIERS

TUBE-CURRENT SIGNAL
FROM SW510-5R
(CRT-DISPLAY SWITCHING)

- .02
- .05
- .10
- .20
- .50
- 1
- 2
- 5
- 10
- 20
- 50

VOLTAGE READINGS WERE OBTAINED
UNDER FOLLOWING CONDITIONS:
 VERTICAL MA/DIV 1
 PLATE-SCREEN-GRID PLATE
 VERTICAL POSITIONING
 UPPER V. READINGS CW
 LOWER V. READINGS CCW
 SEE IMPORTANT NOTE ON STEP GEN. DIAG.

SEE PARTS LIST FOR EARLIER
VALUES AND S/N CHANGES OF
PARTS MARKED WITH BLUE
OUTLINE



TYPE 570 CHARACTERISTIC-CURVE TRACER

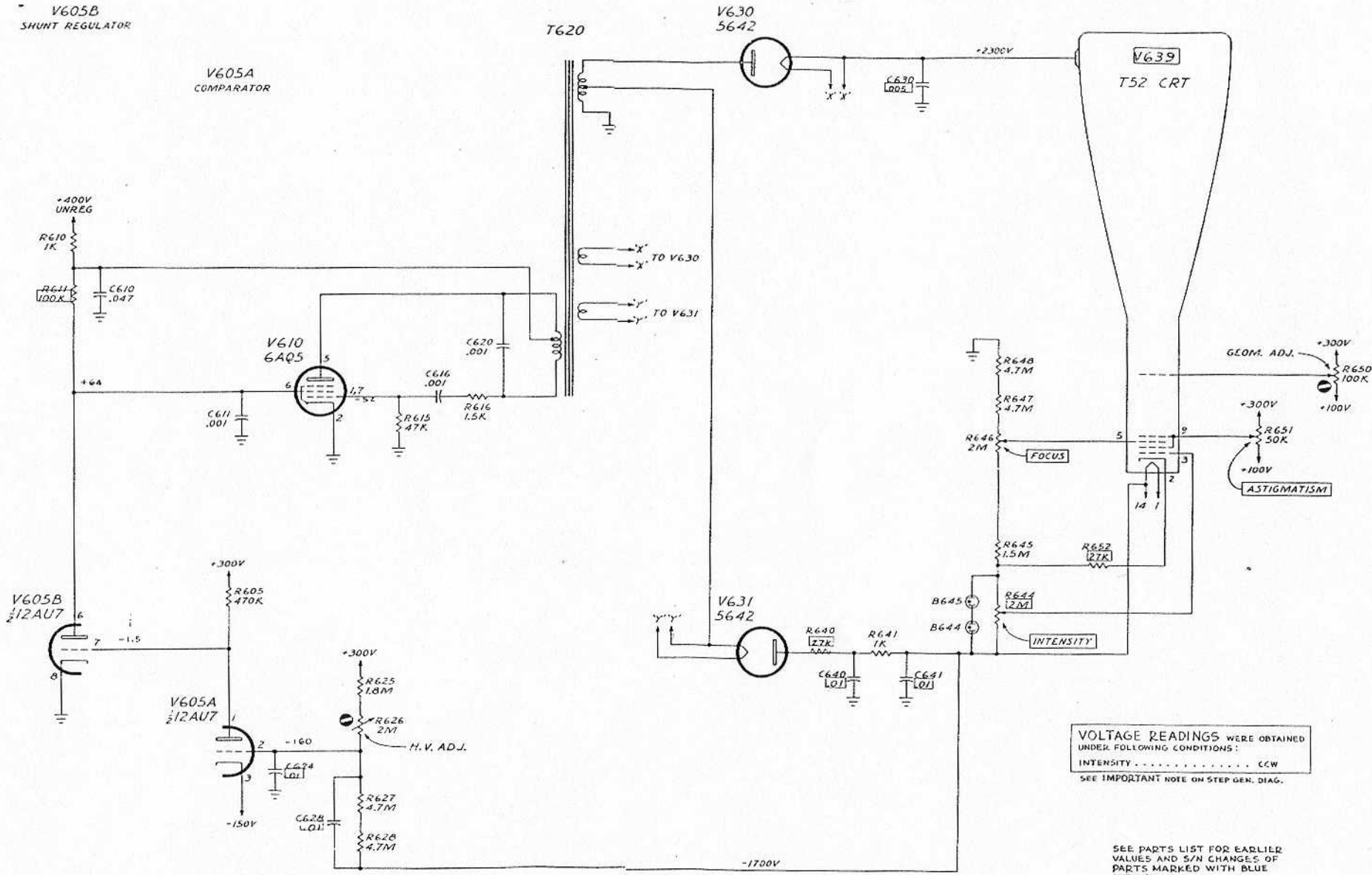
CRT-DISPLAY, SWITCHING

K.F.
443

V610
OSCILLATOR

V605B
SHUNT REGULATOR

V605A
COMPARATOR



VOLTAGE READINGS WERE OBTAINED UNDER FOLLOWING CONDITIONS:
INTENSITY CCW
SEE IMPORTANT NOTE ON STEP GEN. DIAG.

SEE PARTS LIST FOR EARLIER VALUES AND S/N CHANGES OF PARTS MARKED WITH BLUE OUTLINE.

V215
HORIZON. 'AL INPUT C.F.

V210
HORIZONTAL POS. ADJ. C.F.

PLATE-VOLTAGE SIGNAL
FROM PLATE CONNECTOR, P
(PLATE SWEEP)

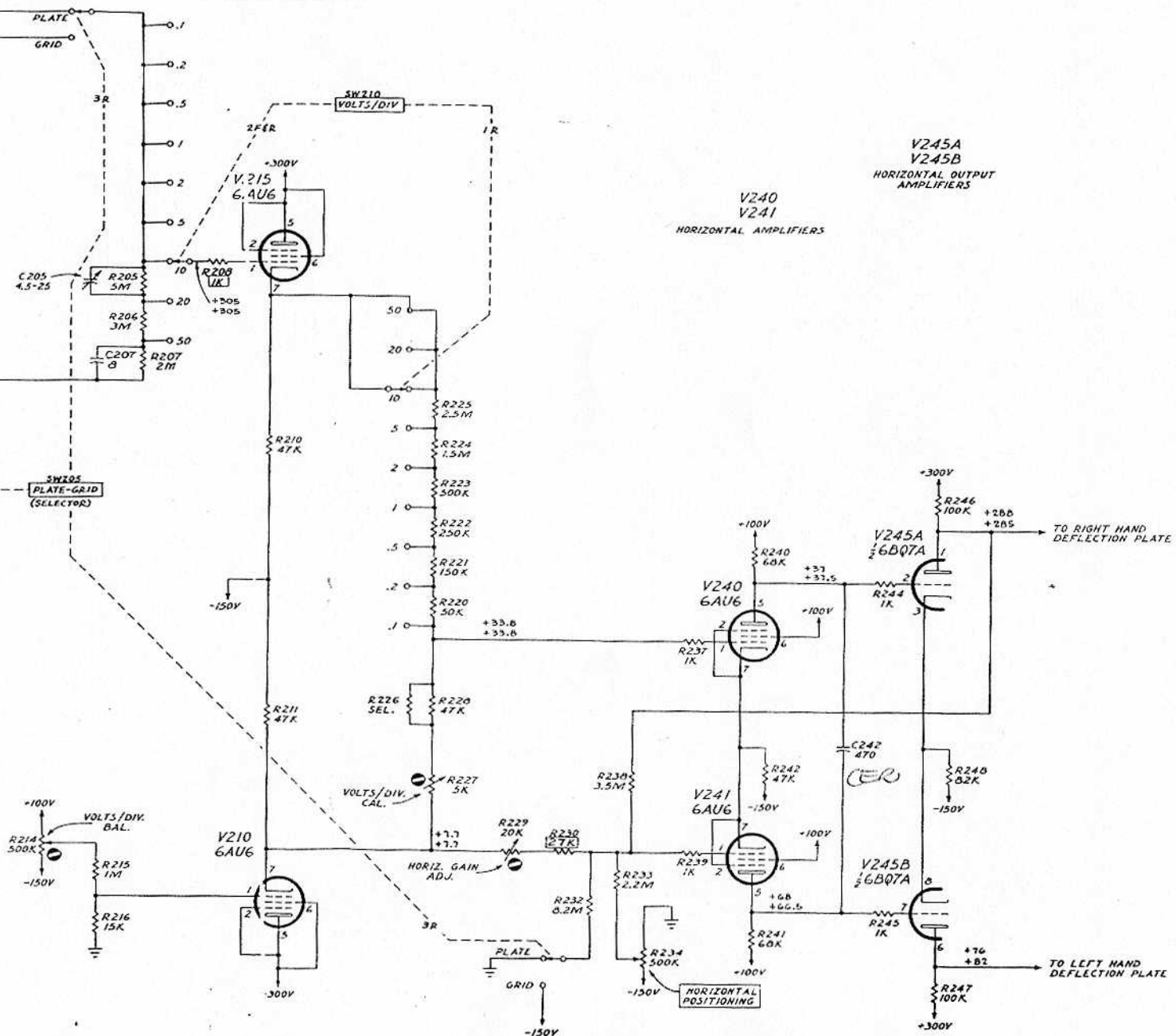
GRID-STEP VOLTAGE
FROM CATH. PIN 1, V100
OUTPUT C.F. VIA SW100
(STEP AMPLIFIER)

FROM SW510
VERTICAL, PLATE-SCREEN-GRID
(CRT-DISPLAY SWITCHING)

FROM SW510 VERTICAL,
PLATE-SCREEN-GRID SELECTOR
(CRT-DISPLAY SWITCHING)

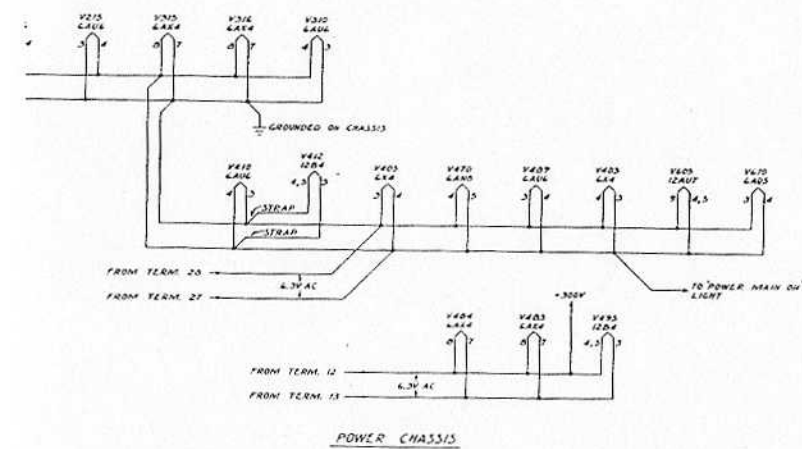
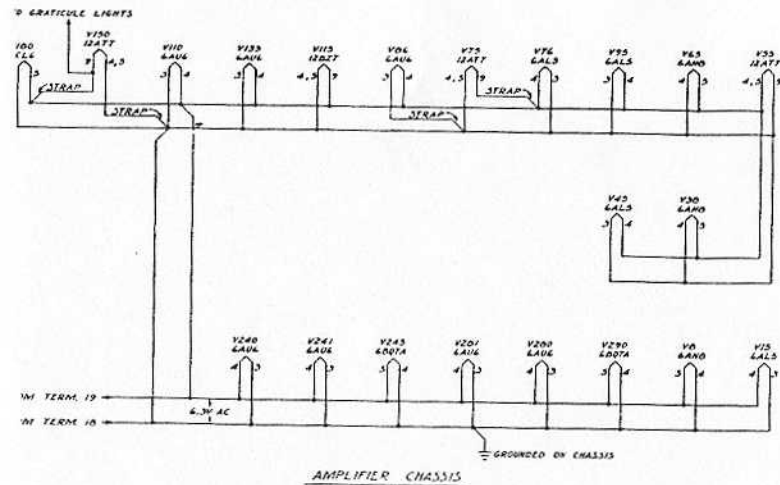
VOLTAGE READINGS WERE OBTAINED
UNDER FOLLOWING CONDITIONS:
VOLTS/DIV. 1
PLATE-GRID. PLATE
HORIZONTAL POSITIONING
UPPER V. READINGS. CW
LOWER V. READINGS. CCW
SEE IMPORTANT NOTE ON STEP GEN. DIAG.

SEE PARTS LIST FOR EARLIER
VALUES AND S/N CHANGES OF
PARTS MARKED WITH BLUE
OUTLINE

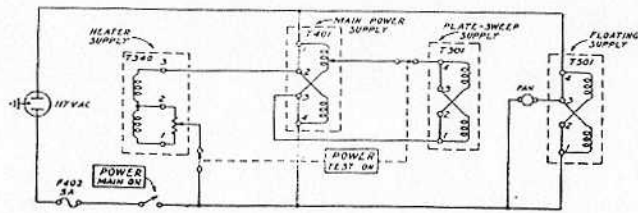


V240
V241
HORIZONTAL AMPLIFIERS

V245A
V245B
HORIZONTAL OUTPUT
AMPLIFIERS

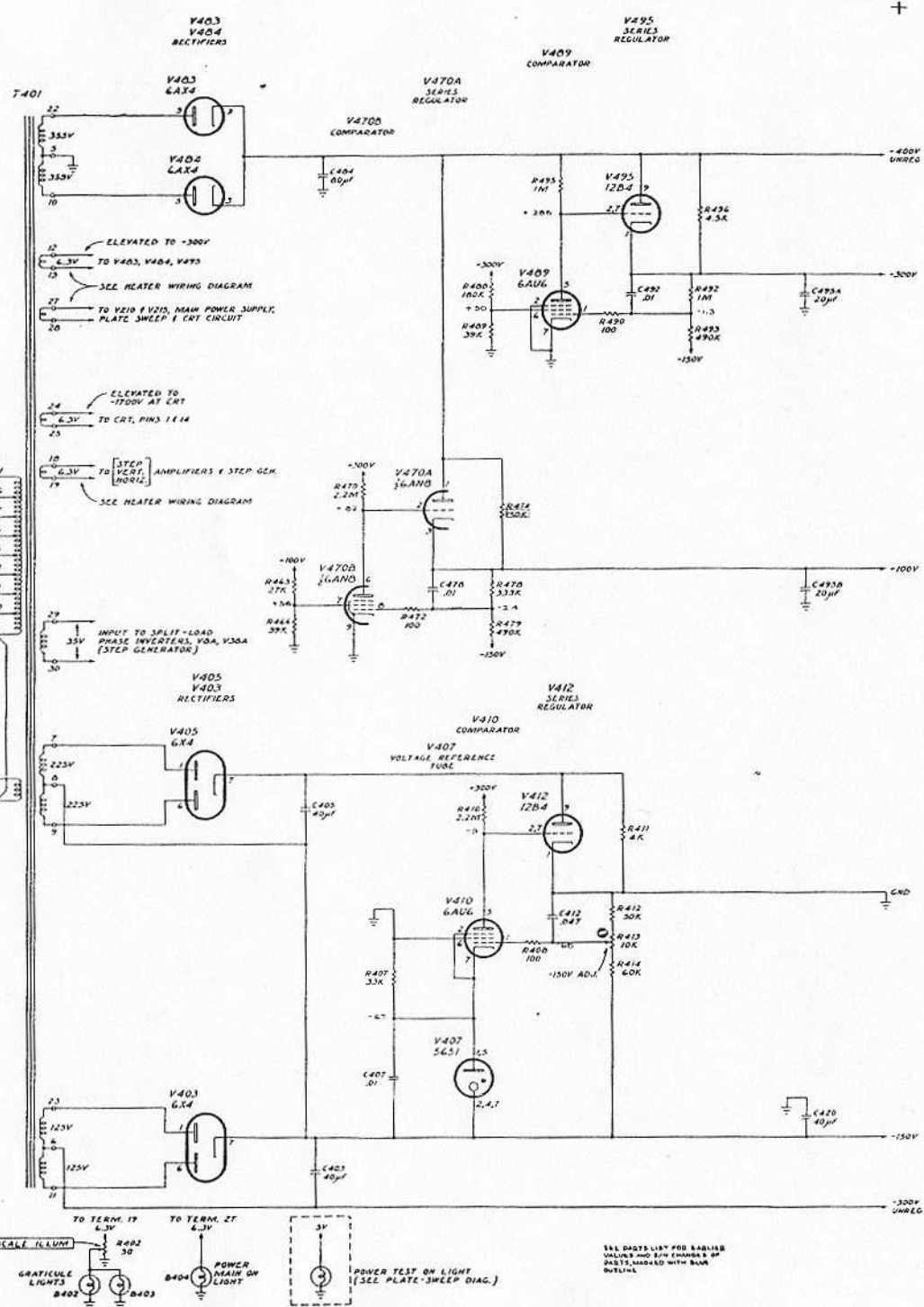
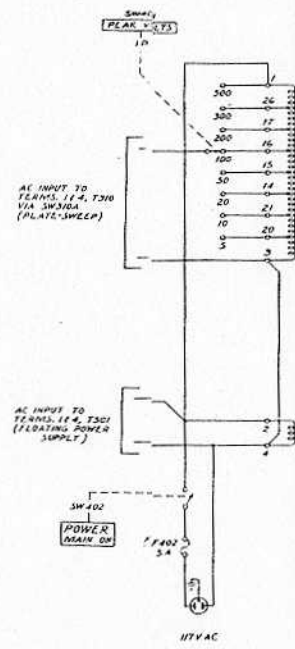


HEATER WIRING DIAGRAM



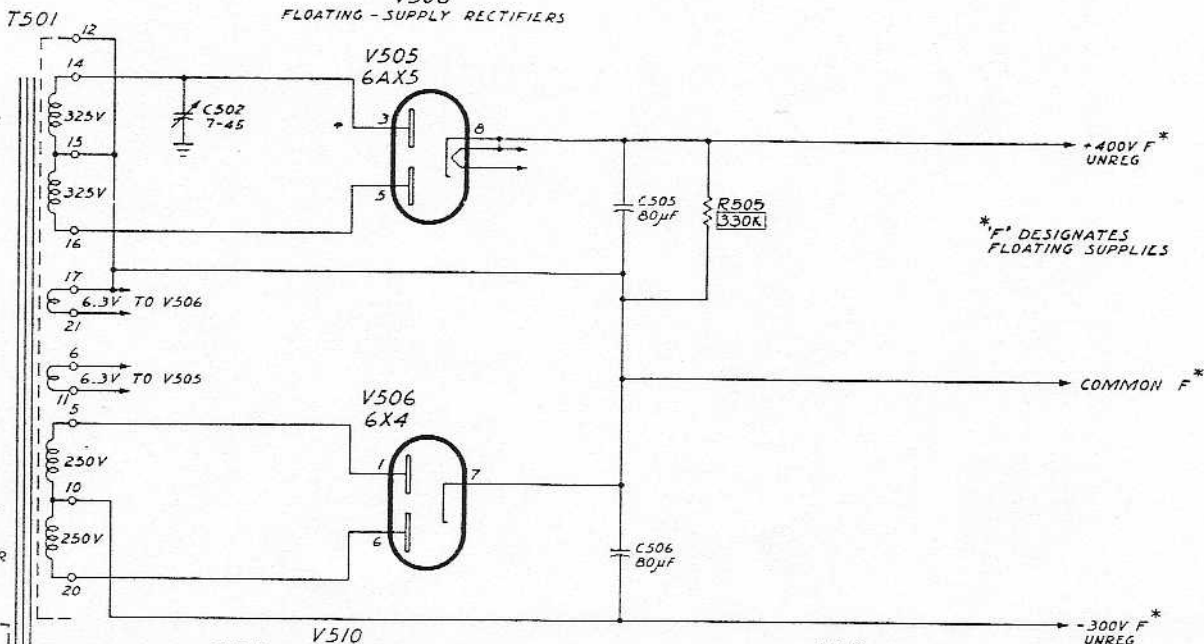
VOLTAGE READINGS WERE OBTAINED UNDER FULLY LOADED CONDITIONS. POWER TEST.

SEE IMPORTANT NOTE 2 ON STEP GEN DIAG.



SEE DATA LIST FOR LABELS ON VALVES AND 570 CHASSIS OR PARTS MARKED WITH BURN OUTLINE

V505
V506
FLOATING - SUPPLY RECTIFIERS

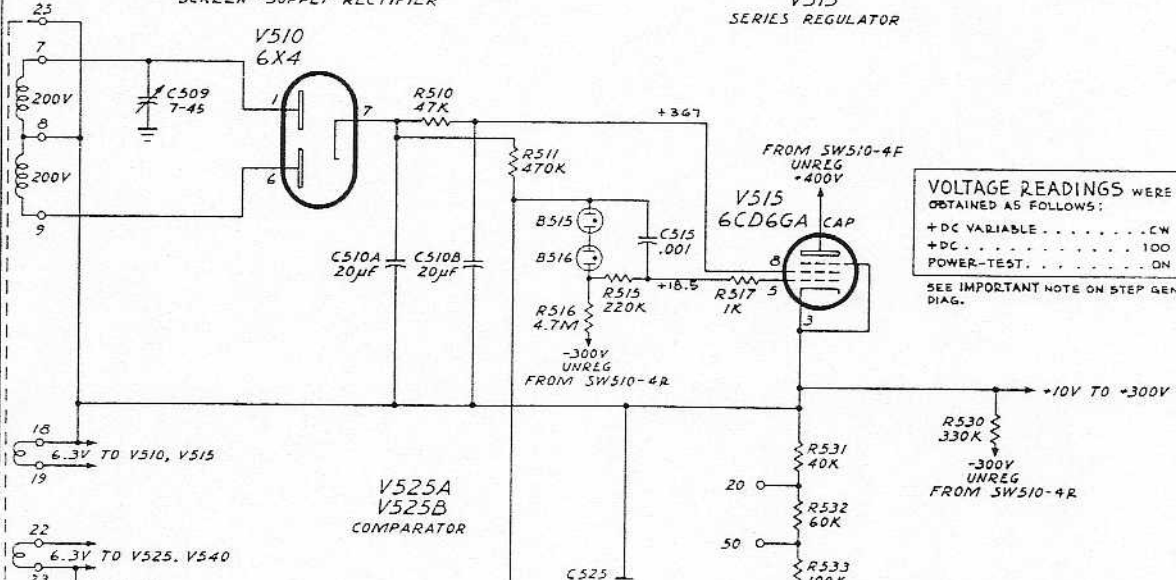


F DESIGNATES FLOATING SUPPLIES

TO AC INPUT AT T401, TERMS. 1 & 4 (MAIN POWER SUPPLY)

V510
SCREEN - SUPPLY RECTIFIER

V515
SERIES REGULATOR

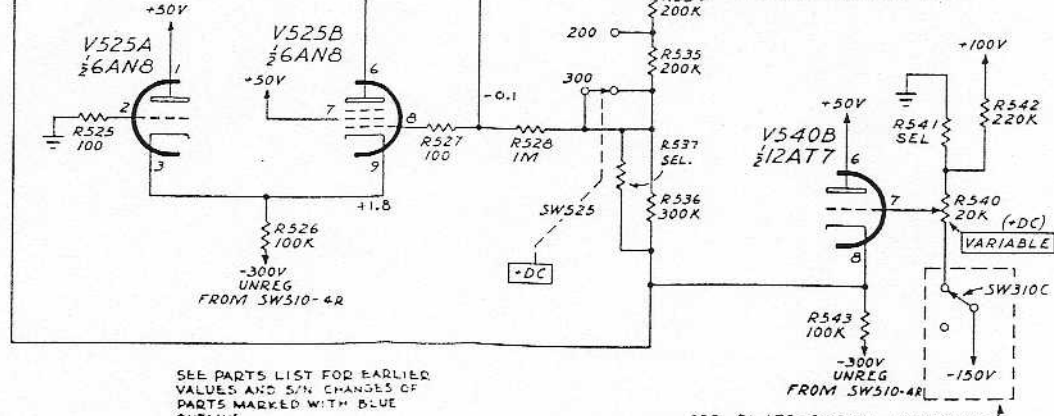


VOLTAGE READINGS WERE OBTAINED AS FOLLOWS:
+DC VARIABLE CW
+DC 100
POWER-TEST ON
SEE IMPORTANT NOTE ON STEP GEN. DIAG.

V525A
V525B
COMPARATOR

V540B
VOLTAGE SETTING C.F.

V540A
-50V REGULATOR



TO ALL POINTS MARKED +50V ON THIS DIAGRAM

SEE PARTS LIST FOR EARLIER VALUES AND 5% CHANGES OF PARTS MARKED WITH BLUE OUTLINE

SEE PLATE-SWEEP DIAGRAM